

EN 574, Type IIIC P2HZ X3



Two-hand relay in accordance with VDE 0113-1, 11/98, EN 60204-1, 12/97 and IEC 204-1, 11/98.

Features

- 22.5 mm width
- Conforms to type IIIC in accordance with EN 574 and category 4 in accordance with EN 954-1

Approvals

	P2HZ X3
	●
	●
	●

Technical Details	P2HZ X3
Electrical Data	
Supply Voltage	24 VDC
Tolerance	85 ... 110 %
Power Consumption	Approx. 2.5 W
Residual Ripple DC	10 %
Voltage and Current at the Input Circuits 1/2	N/C: 24 VDC, 20 mA N/O: 24 VDC, 10 mA
Switching Capability in accordance with EN 60947-4-1, 10/91	AC1: 240 V/5 A/1200 VA DC1: 24 V/4 A/100 W
EN 60947-5-1, 10/91 (DC13: 6 cycles/min.)	AC15: 230 V/2.5 A; DC13: 24 V/1.5 A
Output Contacts	2 safety contacts (N/O), 1 auxiliary contact (N/C)
Contact Fuse Protection (EN 60947-5-1, 10/91)	6 A quick or 4 A slow
Times	
Delay-on De-energisation	N/O: approx. 20 ms, N/C: approx. 30 ms
Recovery Time	Min. 250 ms
Simultaneity channel 1/2	< 0.5 s
Mechanical Data	
Maximum Cross Section of External Conductors	2 x 1.5 mm ² or 1 x 2.5 mm ² Single-core or multi-core with crimp connectors
Dimensions (H x W x D)	87 x 22.5 x 122 mm
Weight	220 g

Description

- 22.5 mm, S-95-housing, DIN-Rail mounting
- Positive-guided relay outputs:
 - 2 safety contacts (N/O)
 - 1 auxiliary contact (N/C)
- Increase in the number of safety contacts available by connecting expander modules
- LEDs for power, channel 1 and channel 2.

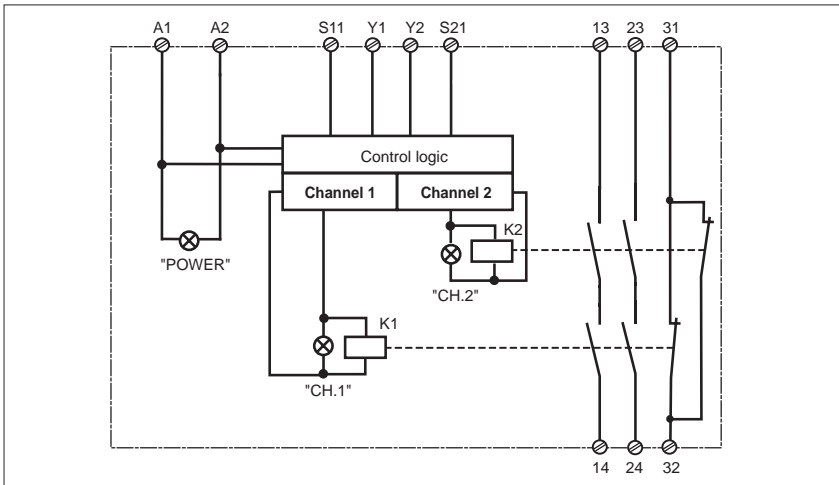
Function Description

The two-hand relay is a safety device to ensure that operators keep their hands away from the danger zone. The relay is suitable for use with mechanical and hydraulic presses, or in safety circuits.

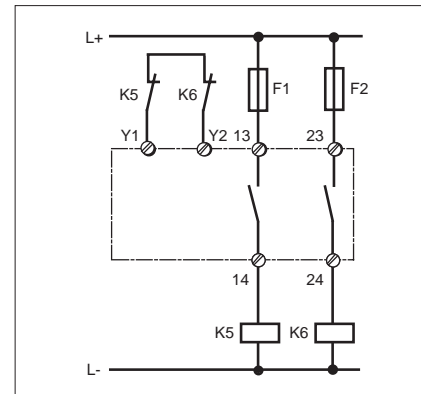
A cycle can only be initiated by pressing the two pushbuttons simultaneously (within 0.5 s). A cycle is interrupted by releasing one or both buttons to stop the output. The output signal can only be reinitiated after both inputs have been released and the pushbuttons are operated again.

EN 574, Type IIIC P2HZ X3

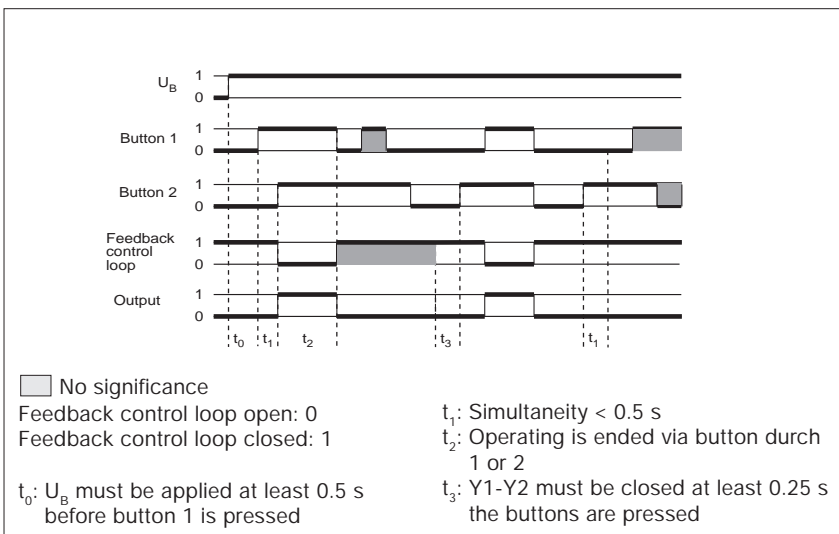
Internal Wiring Diagram



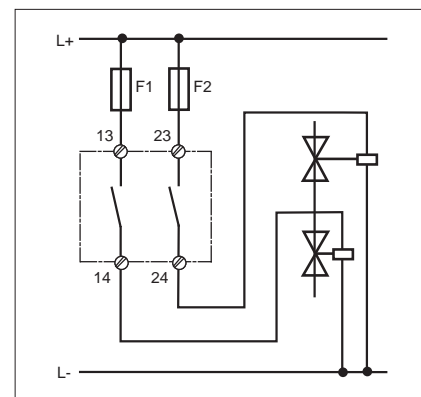
- Increase in safety contacts
The number of output contacts can be increased by using expander modules or relays/contactors with positive-guided contacts.



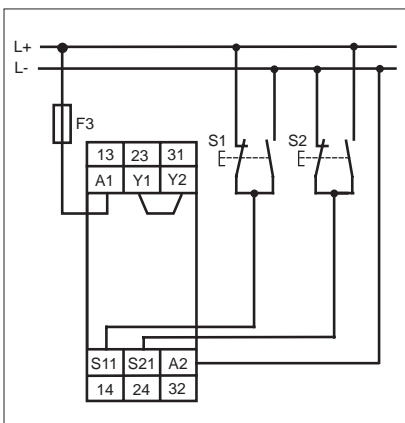
Function Diagram



- Driving a load



Connection Example



- Key

S1/S2: Two-hand pushbuttons

EN 574, Type IIIC P2HZ X3

General Technical Data

Unless stated otherwise in the technical details for the specific unit

Electrical Data

Frequency Range AC	50 ... 60 Hz
Residual Ripple DC	160 %
Contact Material	AgSnO ₂
Continuous Duty	100 %

Environmental Data

EMC	EN 50081-1, 01/92, EN 50082-2, 03/95
Vibration in accordance with EN 60068-2-6, 04/95	Frequency: 10 ... 55 Hz, Amplitude: 0.35 mm
Climatic Suitability	DIN IEC 60068-2-3, 12/86
Airgap Creepage	DIN VDE 0110 part 1, 04/97
Ambient Temperature	-10 ... +55 °C
Storage Temperature	-40 ... +85 °C

Mechanical Data

Torque Setting on Connection Terminals	0.6 Nm (screws)
Mounting Position	Any
Housing Material	Thermoplast Noryl SE 100
Protection	Mounting: IP 54 Housing: IP 40 Terminal Range: IP 20

The units were tested in accordance with the relevant standards current at the time of development.

Order References

Type	U _B	Order No.
P2HZ X3	24 V DC	774 350